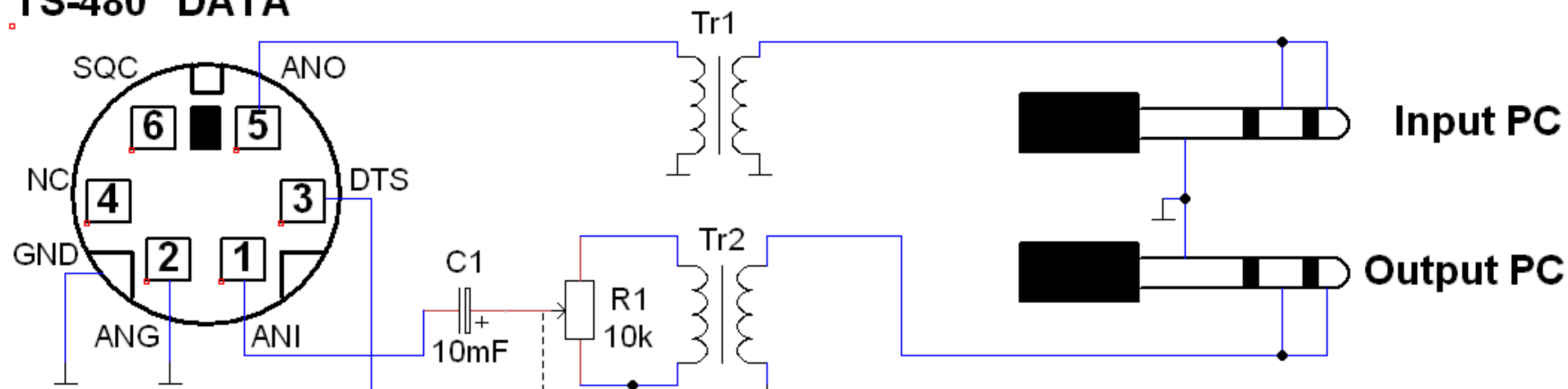


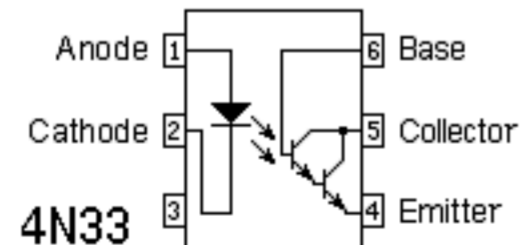
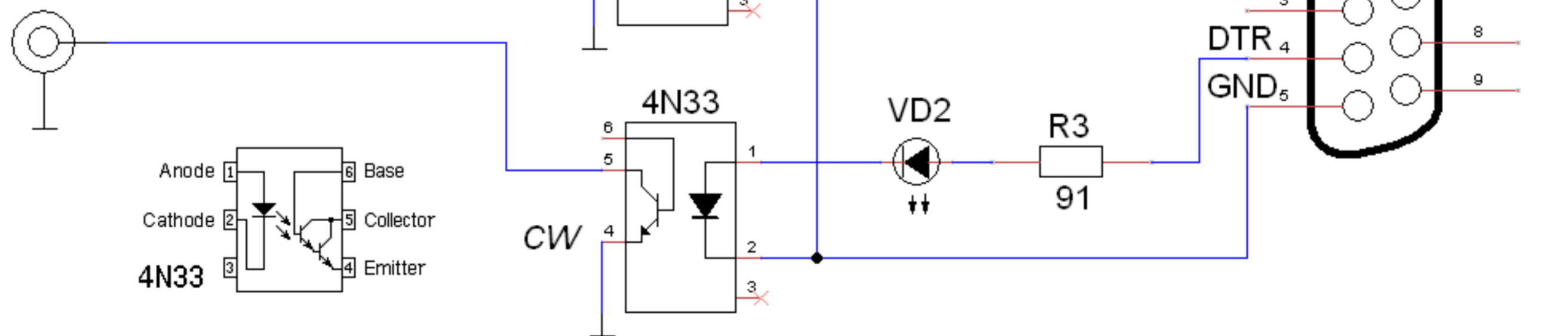
## TS-480 - PC control interface (by Alex YL3BU)

### TS-480 "DATA"



p1 - ANI - Audio input from TNC  
 p2 - ANG - Audio signal ground  
 p3 - DTS - Ground this to transmit  
 p4 - NC - No connection  
 p5 - ANO - Audio output for TNC  
 p6 - SQC - Squelch status  
 Metal cover - GND - Ground

### TS-480 "KEY"



Title TS-480 - PC control interface		
Author Alex YL3BU HamRadio		
File :s\HamRadio\TS-480\TS-480_connect_to_PC.dsn	Document 1	
Revision 1.0	Date 2012.06.26	Sheets 1 of 1